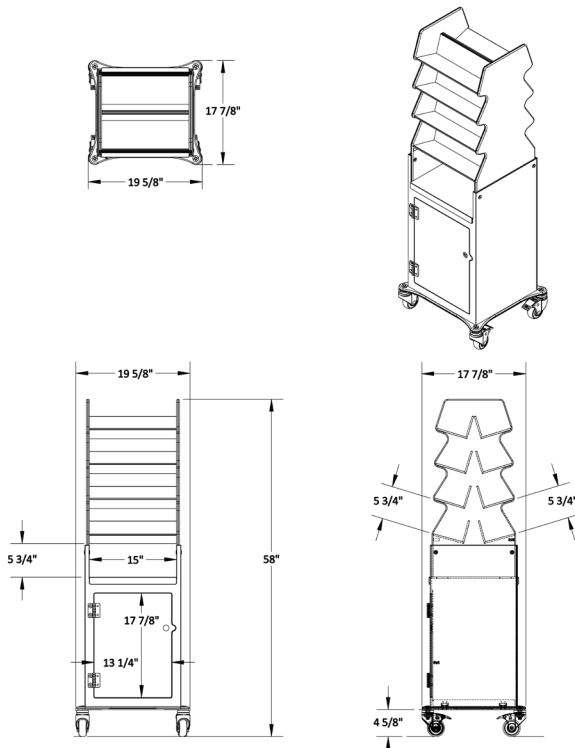




# Tall Slanted Suture

Part No. 50252

TrippNT's Tall Slanted Suture Cart with Clear Door transports and consolidates sutures for easy retrieval. It is able to hold up to 48 standard suture boxes on 8 angled shelves for easy viewing and retrieval. The large bulk storage area is perfect for storing additional boxes of sutures, bottles of irrigation water or sterile suturing kits



## Features:

- 2 Locking & 2 Swivel 2 1/2 inch Casters, 10 Suture Shelves
- Lightweight Construction with Narrow Built for a Small Footprint
- Corrosion-Resistant, Non-Metal HDPE Construction and Acrylic
- Consolidates, Stores, and Secures Standard Suture Boxes



**Ships Next Day**



**Made in the U.S.A**



**Corrosion Resistant**



**100% Lifetime Guarentee**

Rev: 50252.1