



Suture Wall Cubby

Part No. 50490

TrippNT's Suture Cubby holds 32 suture boxes, keeping them separated, visible, and organized. Made of durable ACP with label ready dividers, rubber corner guards, and a wall-mount design. Dimensions: 22 1/2 x 25 3/4 x 5 1/8 WHD, 16 pounds. Flexible system accommodates various box sizes and allows vertical or horizontal stacking. Includes pictured dividers, with optional accessory kits for additional divider configurations (clear acrylic or white ACP, horizontal or vertical).



Features:

- *Ideal for medical environments*
- *Fits various box sizes vertically and horizontally, allows for stacking*
- *Flexible divider system that prevents clutter and enhances visibility*
- *Label ready sections for quick inventory management*



Ships Next Day



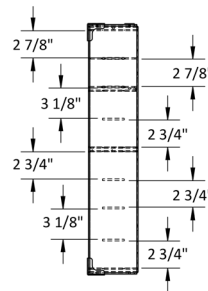
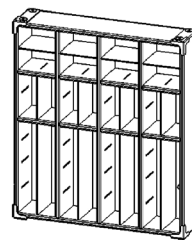
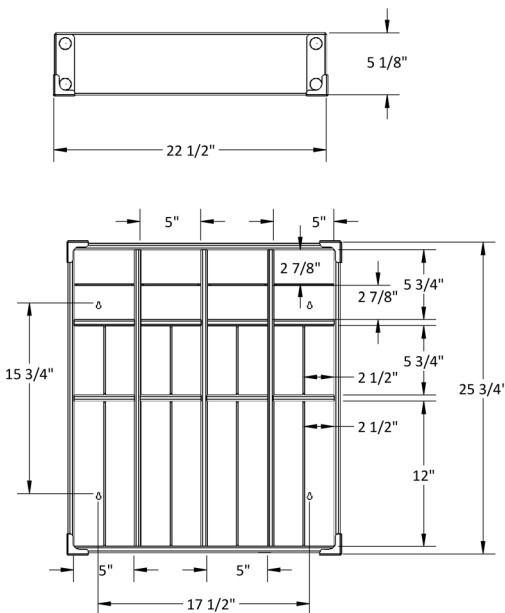
Made in the U.S.A



Corrosion Resistant



100% Lifetime Guarantee



Rev: 50490.1