



# Procedure Cart

Part No. 51046

TrippNT's Procedure Cart is a wide push cart with high capacity storage for anesthesia procedure. This cart offers 6 full-extension total locking drawers, 4-inch twin wheel casters, 2 locking, 2 swivel, and a built-in tray top with an easy to grab handle. The durable construction consists of Corrosion resistant HDPE, ABS, and PETG. Available in 6 color variants. Ships Fully Assembled.



51046



51358



51071



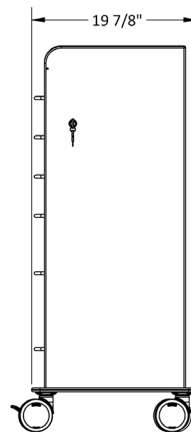
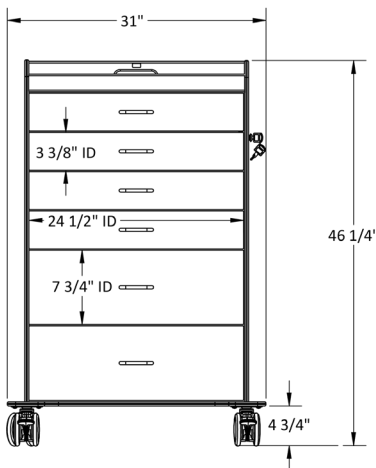
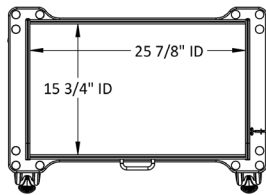
51079



53593



51078



## Features:

- 2 Locking Casters, 2 Swivel Casters, and 6 Total Locking Drawers
- Built-in Recessed Tray in the Top of the Cart
- Corrosion-Resistant, Non-Metal HDPE Construction



Ships Next Day



Made in the U.S.A



Corrosion Resistant



100% Lifetime Guarantee

Rev: 51046.17