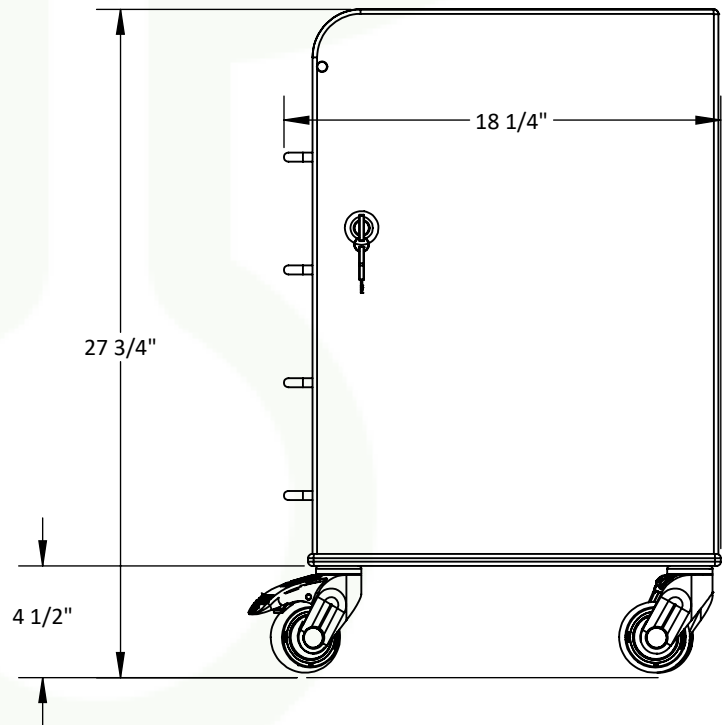
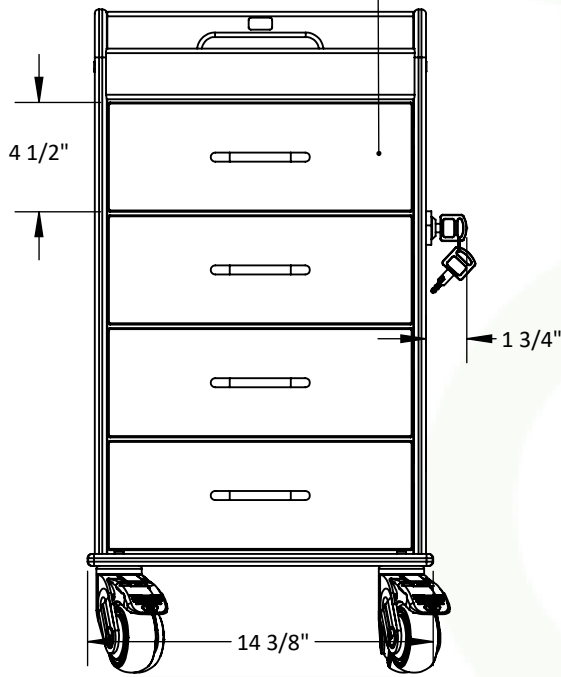



Internal Drawer Dimensions:
 W - 11 1/2"
 H - 3 1/4"
 D - 15 1/8"



WHITE CART'S COLOR OPTIONS FOR DRAWER FRONTS		BLACK CART'S COLOR OPTIONS FOR DRAWER FRONTS	
51032	WHITE	53426	WHITE
51080	GLOBAL BLUE	53427	GLOBAL BLUE
51087	ALMOND BEIGE	53434	ALMOND BEIGE
51088	SILVER METALLIC	53435	SILVER METALLIC
51446	BLACK	53436	BLACK
52908	DOLPHIN GRAY	53480	DOLPHIN GRAY

DIMENSIONS ARE IN INCHES TOLERANCES: FRACTIONAL ± 1/8"	OUTSIDE DIMENSIONS ARE ROUNDED UP TO THE NEAREST 1/8", INSIDE DIMENSIONS ARE ROUNDED DOWN TO THE NEAREST 1/8"			NOTES	 This document and the information contained therein are the property of TRIPPNT, Kansas City, Missouri. Recipient agrees NOT TO: (1) Use such information for purposes other than those expressly authorized by TRIPPNT. (2) Furnish such information to any other person in whole or in part for any purpose whatsoever without express written permission of TRIPPNT. (3) Reproduce or copy this document either in whole or in part without the express written permission of TRIPPNT.
	DRAWING NUMBER	PRODUCT REVISION	ENGINEER	Smooth, No Rough Edges	
PROPRIETARY AND CONFIDENTIAL THE INFORMATION CONTAINED IN THIS DRAWING IS THE SOLE PROPERTY OF TRIPPNT. ANY REPRODUCTION IN PART OR AS A WHOLE WITHOUT THE WRITTEN PERMISSION OF TRIPPNT IS PROHIBITED.	51032.1	29	DGW		SIZE A DO NOT SCALE DRAWING SHEET 1 OF 1
	PRIMARY MATERIALS	WEIGHT IN LBS	DATE		
	HDPE & ACP	49.75	07/15/2024		