

TrippNT

COMPACT CART

**MOBILIZE YOUR EQUIPMENT,
UNDER 250LBS.**



51032

2" Locking Casters •

Medical Grade Materials •

135 lbs Total Weight Capacity •

4 Drawer All Locking Storage •

100% Total Replacement Lifetime Guarantee •



51146



51088



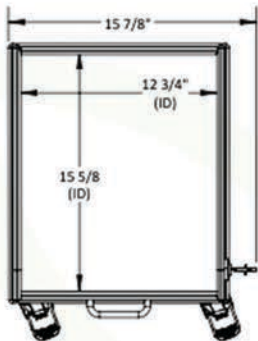
51087



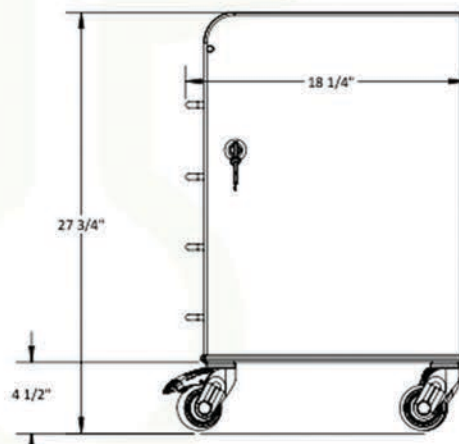
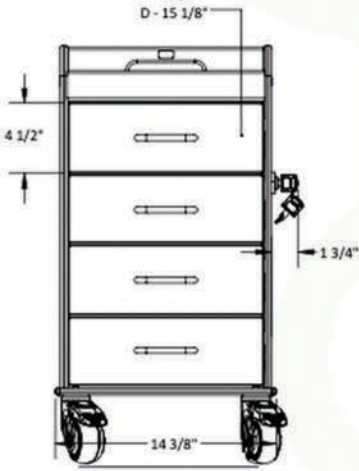
51080



52908



Internal Drawer Dimensions:
W - 11 1/2"
H - 3 1/4"
D - 15 1/8"



	51032 White
	51146 Black
	51088 Silver Metallic
	51087 Almond Beige
	51080 Global Blue
	52908 Dolphin Gray

Additional Info

Finish: Smooth, no rough or sharp edges

Material: Corrosive Resistant PVC, Acrylic, & HDPE

Total Weight: 49 lbs

Key Locking Drawers

Push-Pull Handle for Easy Mobility

Internal Drawer

Dimensions:

11.5 x 3.375 x 15.5 in
Width Height Depth