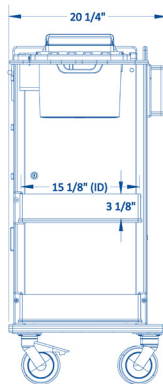
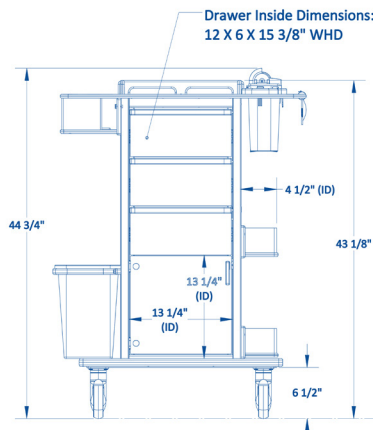
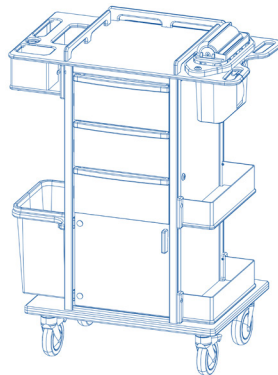
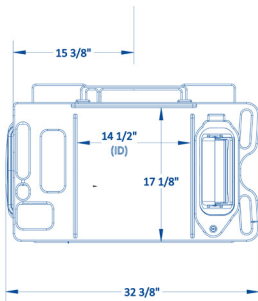




Phlebotomy Pro

Part No. 51536

TrippNT's Phlebotomy Pro Cart is engineered specially for Phlebotomists. This cart is light, flexible and has an ergonomic workspace and storage. Phlebotomy supplies are accessible from top of the cart. These supplies include items such as: Sample Bags, Sanitizer, Bottle Holder, Pen Holder, Glove Box Holder, and a Sharps Container. There is also a side mounted waste container. Made from non-corrosion white HDPE.



Features:

- 3 White locking drawers, 1 locking bulk storage area with clear acrylic hinged door, side-mounted handle, 2 shelf wings, 5 inch casters
- Specialty phlebotomy tool can be easily reached from the top of the cart
- Corrosion-resistant
- Designed to store and transport phlebotomy supplies



Ships Next Day



Made in the U.S.A



Corrosion Resistant



100% Lifetime Guarantee

Rev: 51536.1