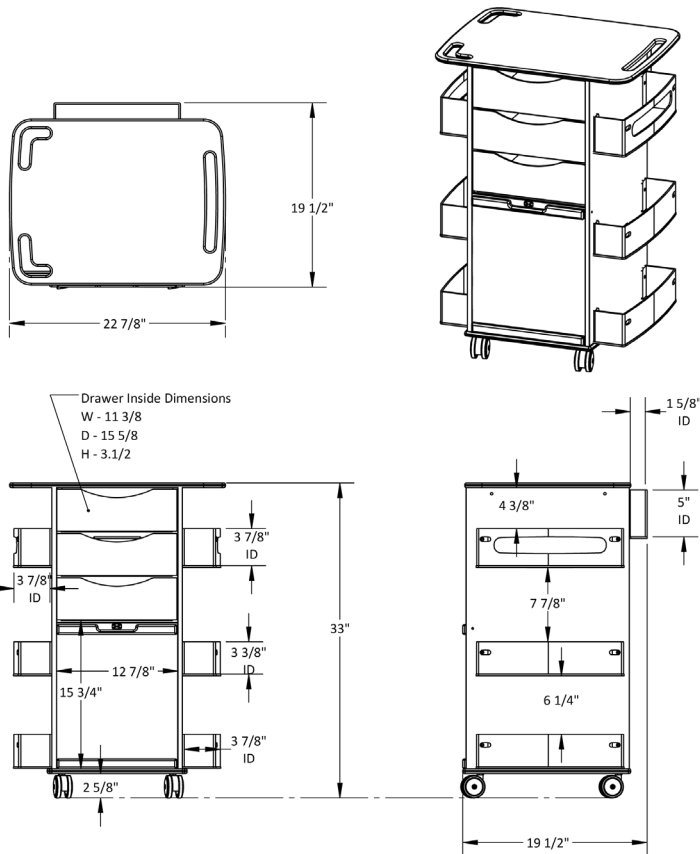




# MRI Core DX

Part No. 51728

TrippNT's MRI Core DX with White Drawers and Sliding Door TrippNT's is compatible for use within the sensitive magnetic imaging environment, keeping supplies mobile and organized. The cutaway ergonomic grab handles in the top make the Core DX easy to maneuver. Constructed from non-ferrous durable high density polyethylene and ABS and non-ferrous casters and screws. Ships fully Assembled.



## Features:

- 3 White Drawers, 1 Bulk Storage Area with Sliding Door, 2 Dispenser Wings, 4 Shelf Wings, Tool Holder, 2 1/2-Inch Casters
- Built-in Easy to Grab Handles
- Corrosion-Resistant, Non-Metal HDPE Construction



**Ships Next Day**



**Made in the U.S.A**



**Corrosion Resistant**



**100% Lifetime Guarantee**

Rev: 51728.18