



Core DX with Sliding Door

Part No. 53370

TrippNT's Core DX Cart with sliding door, stores and secures supplies. It offers 3 total locking drawers, 4 shelves, 2 dispensing shelves, & bulk storage with a sliding clear door. Its built-in handles are ergonomic and easy to grab. It is constructed from corrosion-resistant non-metal HDPE with 4-inch twin wheel casters capable of each navigating elevator gaps and uneven surfaces. Available in 6 color variants. Ships fully assembled.



53370



53382



53372



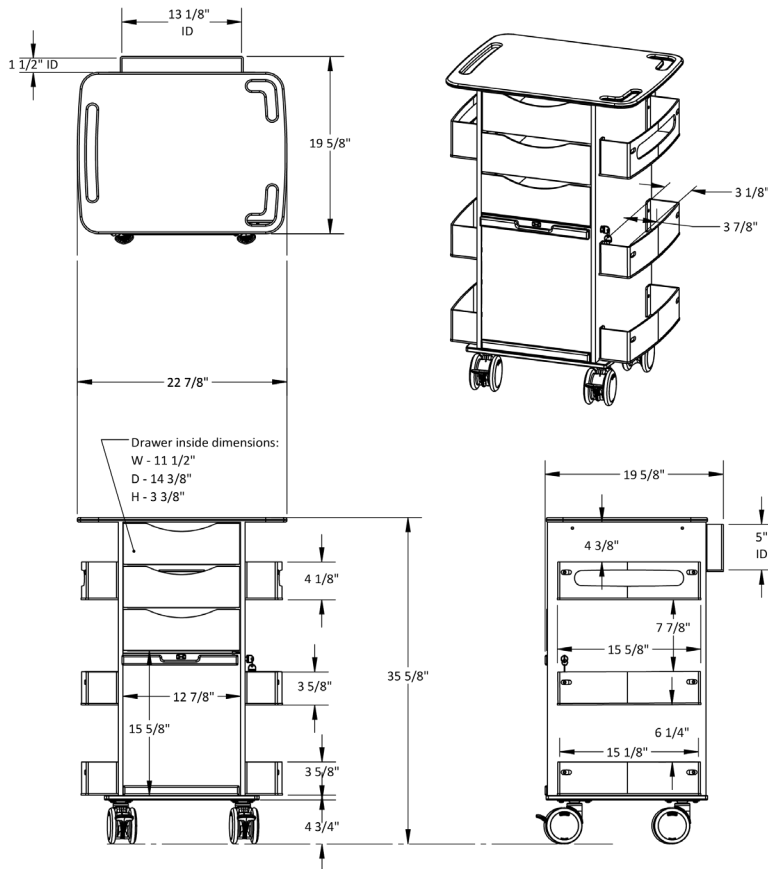
53371



53375



53481



Features:

- 2 Locking & 2 Swivel 4in Twin Wheel Casters, 3 Total Locking Drawers, 6 Side Shelves, Locking Bulk Storage with Sliding Drawer
- Built-in Easy to Grab Handles
- Corrosion-Resistant, Non-Metal HDPE Construction



Ships Next Day



Made in the U.S.A



Corrosion Resistant



100% Lifetime Guarantee

Rev: 53370.4