



# Bedside Cart

Part No. 53405

TrippNT's Bedside Cart is used to protect and store patient's belongings. The top of the cart has an inset tray to secure items such as phones, drinks, and other possessions that need to be frequently accessed. The bulk storage area and drawer lock with a single key to secures items such as backpacks, laptops, coats, and other personal effects allowing for easy transportation. 2 of the casters are locking for stationary use as needed. Available in 6 color variants. Ships fully assembled.



53405



53407



53401



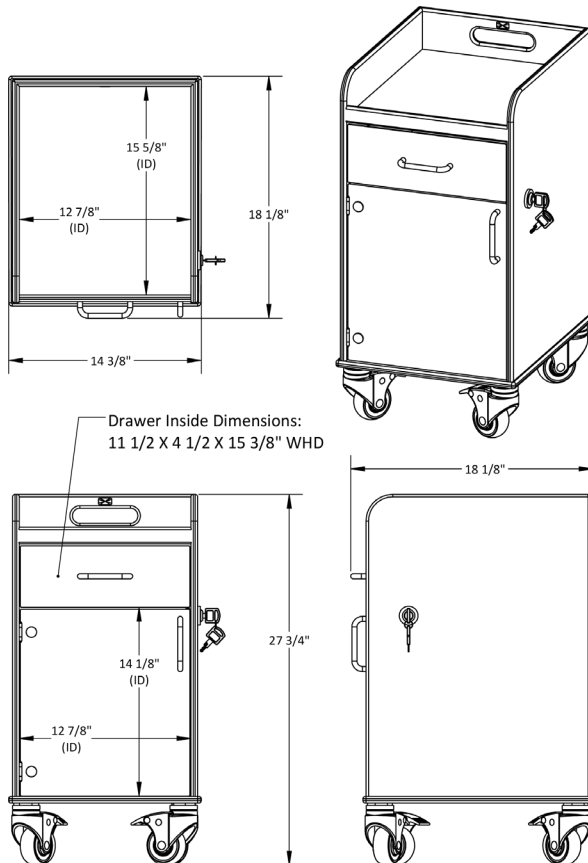
53549



53587



53406



Rev: 53405.1

## Features:

- 2 Locking Casters, 2 Swivel Casters, All Locking Drawer and Bulk Storage Area
- Built-in Recessed Tray in the Top of the Cart
- Corrosion-Resistant, Non-Metal HDPE Construction
- Designed to secures Personal Effects During Transit and Stationary Use



**Ships Next Day**



**Made in the U.S.A**



**Corrosion Resistant**



**100% Lifetime Guarentee**