



Core SP Cart

Part No. 53450

TrippNT's Core SP Cart stores and secures supplies. It offers three total locking drawers & bulk storage with a sliding clear door. Its built-in handles are ergonomic and easy to grab. The sliding door and trim cart top offers a smaller usage footprint. It is constructed from a corrosion-resistant non-metal HDPE, with 4-inch twin wheel casters capable of easily navigating elevator gaps and uneven surfaces. Available in 6 color variants. Ships fully assembled.



53450



53461



53452



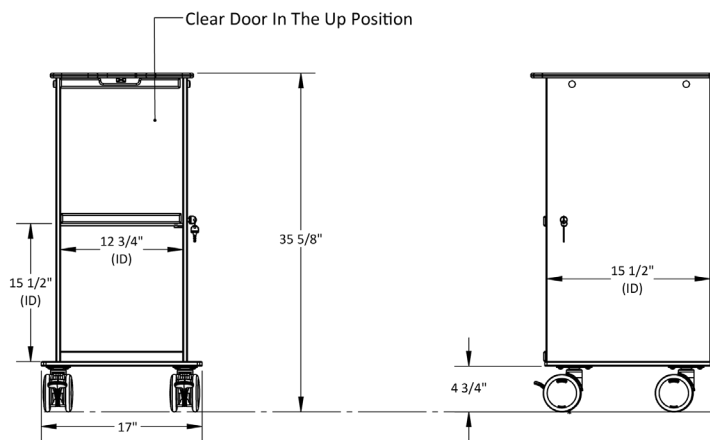
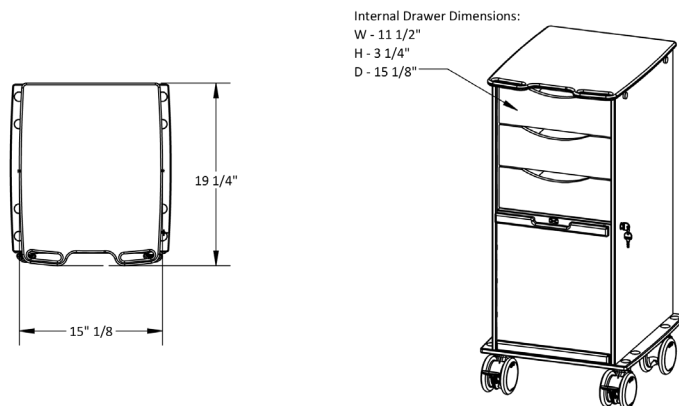
53451



53455



53479



Rev: 53450.4

Features:

- 2 Locking & 2 Swivel 4in Twin Wheel Casters, 3 Full-Extension Total Locking Drawers, Locking Bulk Storage with Sliding Drawer
- Built-in Easy to Grab Handles
- Corrosion-Resistant, Non-Metal HDPE Construction
- Organizes, Stores, and Secures Supplies



Ships Next Day



Made in the U.S.A



Corrosion Resistant



100% Lifetime Guarentee