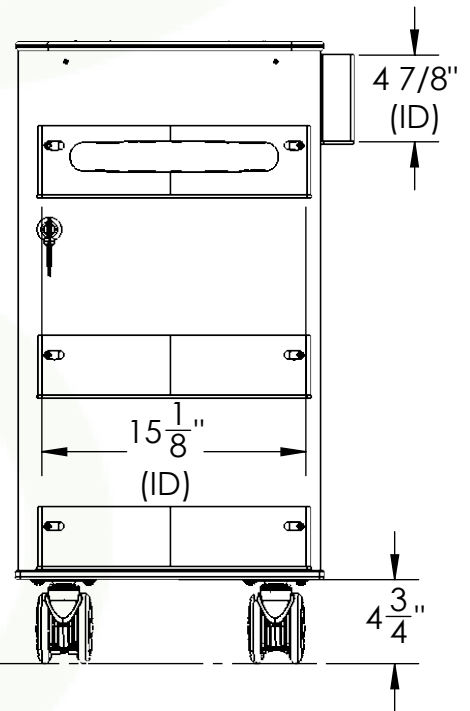
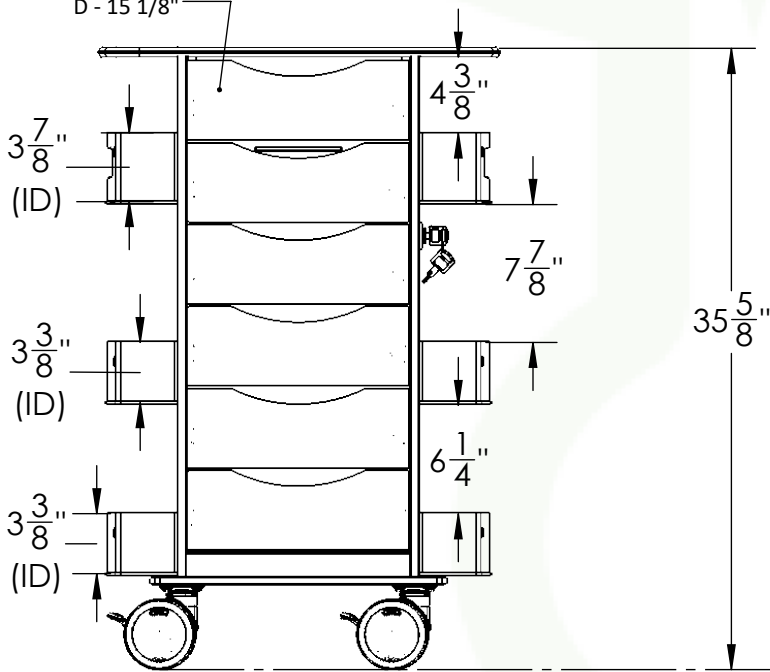


Internal Drawer Dimensions

W - 11 1/2"

H - 3 1/4"

D - 15 1/8"



COLOR OPTIONS FOR DRAWER FRONTS

53463	WHITE
53468	GLOBAL BLUE
53464	ALMOND BEIGE
53465	SILVER METALLIC
53474	BLACK
53478	DOLPHIN GRAY

DIMENSIONS ARE IN INCHES
TOLERANCES: FRACTIONAL ± 1/8"

OUTSIDE DIMENSIONS ARE ROUNDED UP TO THE NEAREST 1/8",
INSIDE DIMENSIONS ARE ROUNDED DOWN TO THE NEAREST 1/8"

NOTES

Smooth, No Rough Edges



This document and the information contained therein are the property of TRIPPNT, Kansas City, Missouri. Recipient agrees NOT TO: (1) Use such information for purposes other than those expressly authorized by TRIPPNT. (2) Furnish such information to any other person in whole or in part for any purpose whatsoever without express written permission of TRIPPNT. (3) Reproduce or copy this document either in whole or in part without the express written permission of TRIPPNT.

PROPRIETARY AND CONFIDENTIAL
THE INFORMATION CONTAINED IN THIS DRAWING IS THE SOLE PROPERTY OF TRIPPNT. ANY REPRODUCTION IN PART OR AS A WHOLE WITHOUT THE WRITTEN PERMISSION OF TRIPPNT IS PROHIBITED.

DRAWING NUMBER	PRODUCT REVISION	ENGINEER
53463.1	4	DGW
PRIMARY MATERIALS	WEIGHT IN LBS	DATE
HDPE, ACP, ABS	80.05	07/19/2024