



Core 6 Drawer Cart

Part No. 53463

TrippNT's Core 6D Cart with White Drawers organizes, stores, and secures supplies. It offers 6 full-extension total locking drawers, 4 shelves, 2 dispensing shelves, and a tool holder for tablets, charts, and small utensils. Its built-in handles are ergonomic and easy to grab. It is constructed from a corrosion-resistant non-metal polymer with robust 4-inch twin wheel casters capable of easily navigating elevator gaps and uneven surfaces. Available in 6 color variants. Ships fully assembled.



53463



53474



53468



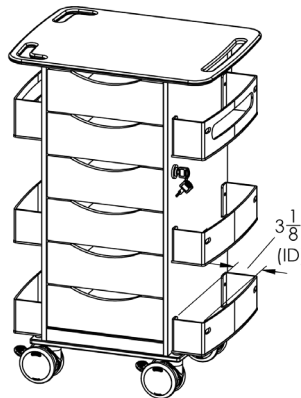
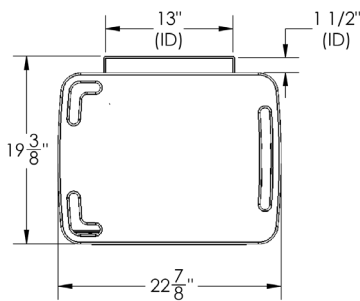
53465



53478



53464

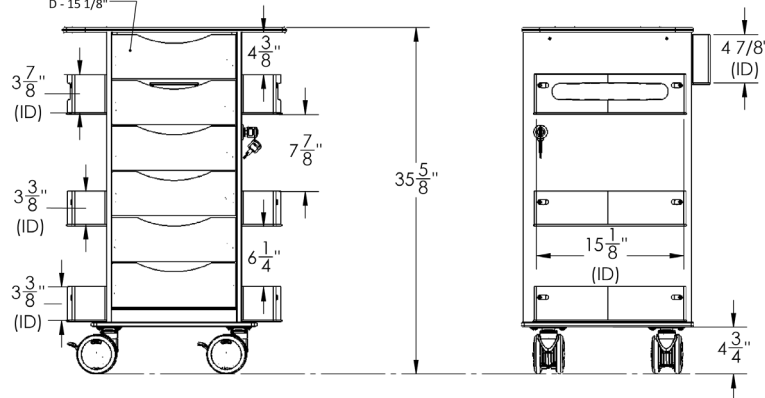


Internal Drawer Dimensions

W - 11 1/2"

H - 3 1/4"

D - 15 1/8"



Features:

- 2 Locking & 2 Swivel 4in Twin Wheel Casters, 6 Full-Extension Total Locking Drawers, 6 Side Shelves
- Built-in Easy to Grab Handles
- Corrosion-Resistant, Non-Metal HDPE Construction
- Organizes, Stores & Secures Supplies



Ships Next Day



Made in the U.S.A



Corrosion Resistant



100% Lifetime Guarentee

Rev: 53463.1