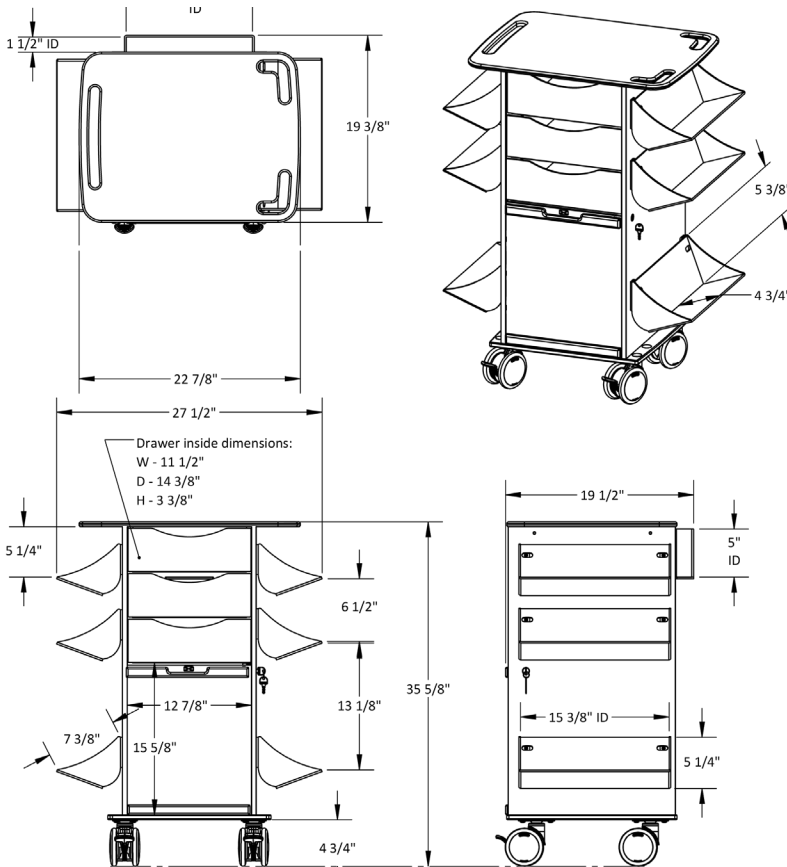




Core CL Cart

Part No. 53490

TrippNT's Core CL Cart transports and consolidates sutures for easy retrieval. This cart offers 3 total locking drawers, 6 large side shelves, bulk storage with a locking sliding door, a tool holder for charts, tablets, and small utensils, 4-inch twin wheel casters, 2 locking, 2 swivel, and a built-in easy to grab handle. The durable construction consists of Corrosion resistant HDPE, ABS, and PETG. Available in 6 color variants. Ships Fully Assembled.



Features:

- 2 Locking & 2 Swivel 4in Casters, 3 Total Locking Drawers, 6 Adjustable Side Shelves, Locking Bulk Storage with Sliding Drawer
- Built-in Easy to Grab Handles
- Corrosion-Resistant, Non-Metal HDPE Construction
- Organizes, Stores, and Secures Suture Supplies



Ships Next Day



Made in the U.S.A



Corrosion Resistant



100% Lifetime Guarantee

Rev: 53490.4