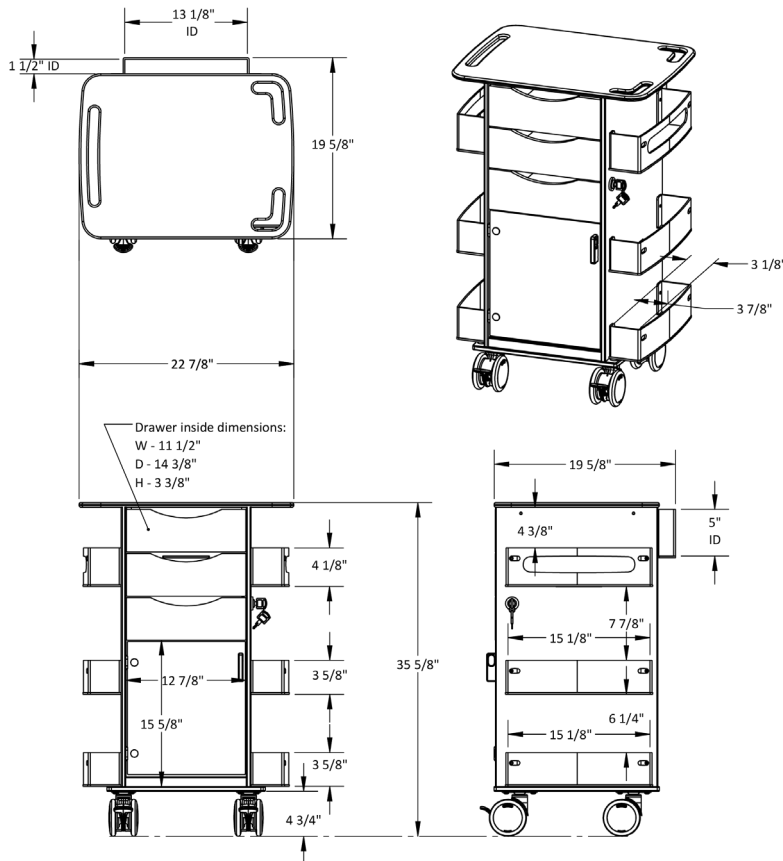




Core DX Hinged Door Cart

Part No. 53517

TrippNT's Core DX Cart with Hinged Door organizes, stores, and secures supplies. It offers 3 total locking drawers, 4 shelves, 2 dispensing shelves, and bulk storage with a hinged clear door. Its built-in handles are ergonomic and easy to grab. The Hinged door allows simultaneous access to the bulk and drawer storage. It is constructed from a corrosion-resistant non-metal HDPE, and 4-inch twin wheel casters capable of easily navigating elevator gaps and uneven surfaces. Available in 6 color variants. Ships fully assembled.



Features:

- 2 Locking & 2 Swivel 4in Twin Wheel Casters, 3 Total Locking Drawers, 6 Side Shelves, Locking Bulk Storage with Hinged Drawer
- Built-in Easy to Grab Handles
- Corrosion-Resistant, Non-Metal HDPE Construction
- Organizes, Stores, and Secures



Ships Next Day



Made in the U.S.A



Corrosion Resistant



100% Lifetime Guarantee

Rev: 53517.3