



Core DX Hinge Door Railtop

Part No. 53547

TrippNT's Core DX Cart with Hinged Door, and Railtop organizes, stores, & secures supplies. It offers a 1-inch railtop for secure top storage, 3 drawers, 4 shelves, 2 dispensing shelves, and bulk storage with a hinged clear door. Its built-in handles are ergonomic and easy to grab. It is constructed from a corrosion-resistant non-metal HDPE with 4-inch twin wheel casters. Available in 6 color variants. Ships fully assembled.



53547

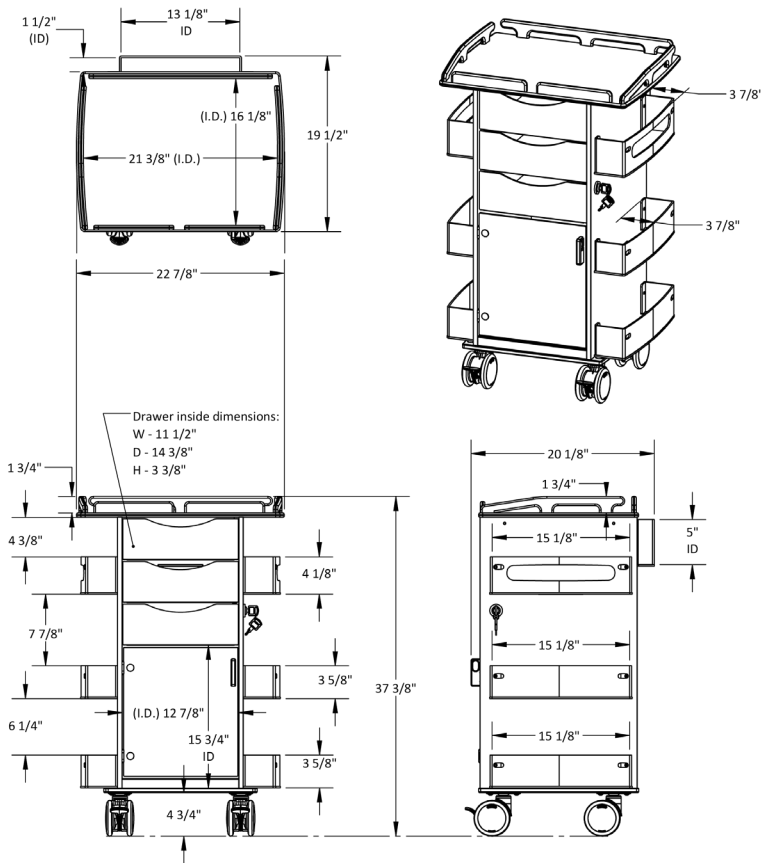
53541

53534

53531

53590

53530



Features:

- 1 inch Rail top, 2 Locking & 2 Swivel 4in Twin Wheel Casters, 3 Total Locking Drawers, 6 Side Shelves, Locking Bulk Storage with Hinged Door
- Built-in Easy to Grab Handles
- Corrosion-Resistant, Non-Metal HDPE Construction
- Organizes, Stores, and Secures Supplies



Ships Next Day



Made in the U.S.A



Corrosion Resistant



100% Lifetime Guarentee

Rev: 53547.3