



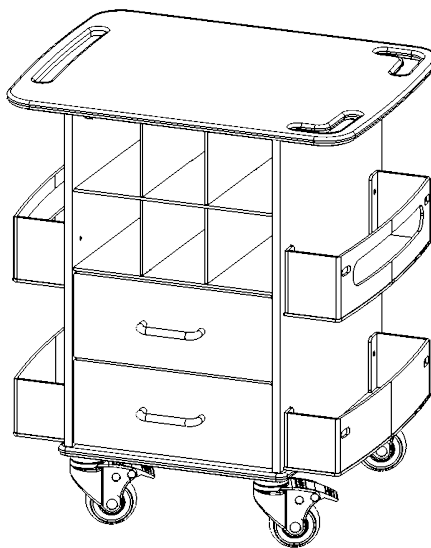
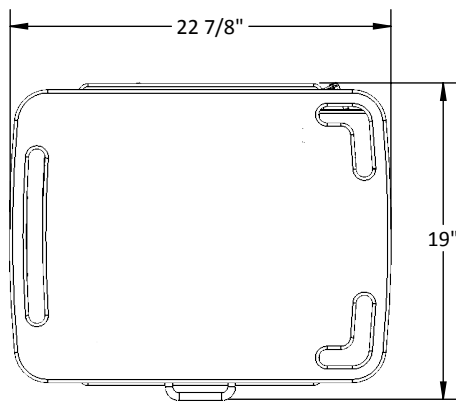
CORE PIPETTE AND FUME HOOD SUPPLY CART

Designed to work with fume hoods and biosafety cabinets.

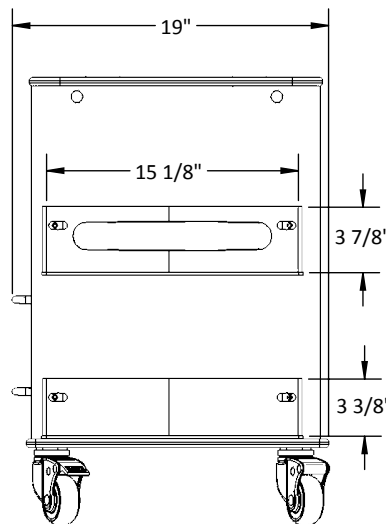
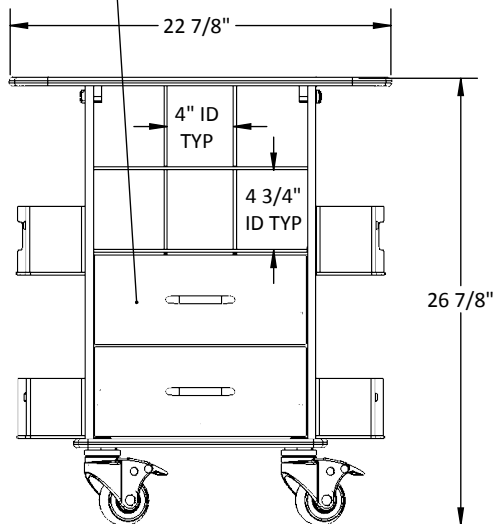


#53602

- Two Locking & Two Swivel 3-inch Casters
- Four Shelves with Two Dispensers
- Two Full-Extension Drawers and Six Serological Pipette Slots
- Corrosion-Resistant, Non-Metal HDPE Construction
- Organizes, Stores, and Mobilizes Pipette Supplies



Drawer inside dimensions:
Width: 11 1/2"
Depth: 14 3/8"
Height: 5 1/8"



Additional Info

3-inch Casters; 2 Locking, & 2 Swivels

4 Shelves with 2 Dispensers for Gloves and Kimwipes

Material: Corrosive Resistant HDPE & ABS

Total Weight: 53 lbs

Two 5 1/8-inch Deep Full Extension Soft Close Drawers

Built-in Ergonomic Handles

Ships Fully Assembled

100% Total Replacement Lifetime Guarantee