



48 inch Adjustable Surgical Helmet Rack

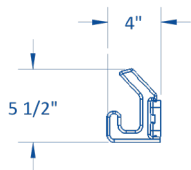
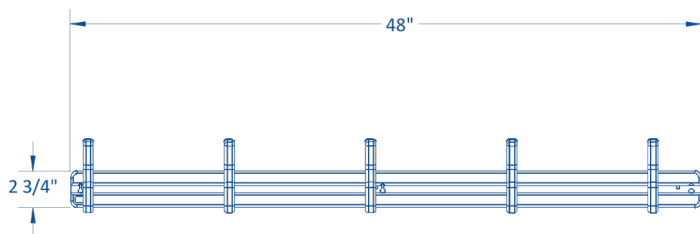
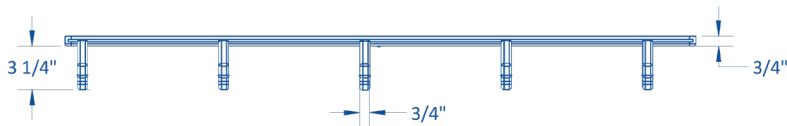
Part No. 53940

TrippNT's 48 inch Adjustable Surgical Helmet Rack stores and protects surgical helmets from damage and contamination from falling. Designed in conjunction with a surgical department, this storage rack boasts 5 totally adjustable hooks giving you freedom to optimize placement of your helmets (Styrker® or similar). Also, a great option for hanging other oddly shaped equipment and supplies. A smaller 24 inch (3 hook) size is available as well as individual replacement hooks.

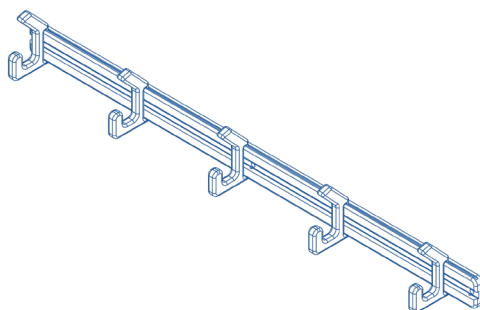


Features:

- 48 inch wall mounted base with 5 hooks
- Easy glide adjustable hooks that hand tighten with provided thumb screws
- Made from white HDPE
- Organizes & protects surgical helmets
- 50 pound weight capacity



Rev: 53940.1



Ships Next Day



Made in the U.S.A.



Corrosion Resistant



100% Lifetime Guarantee